

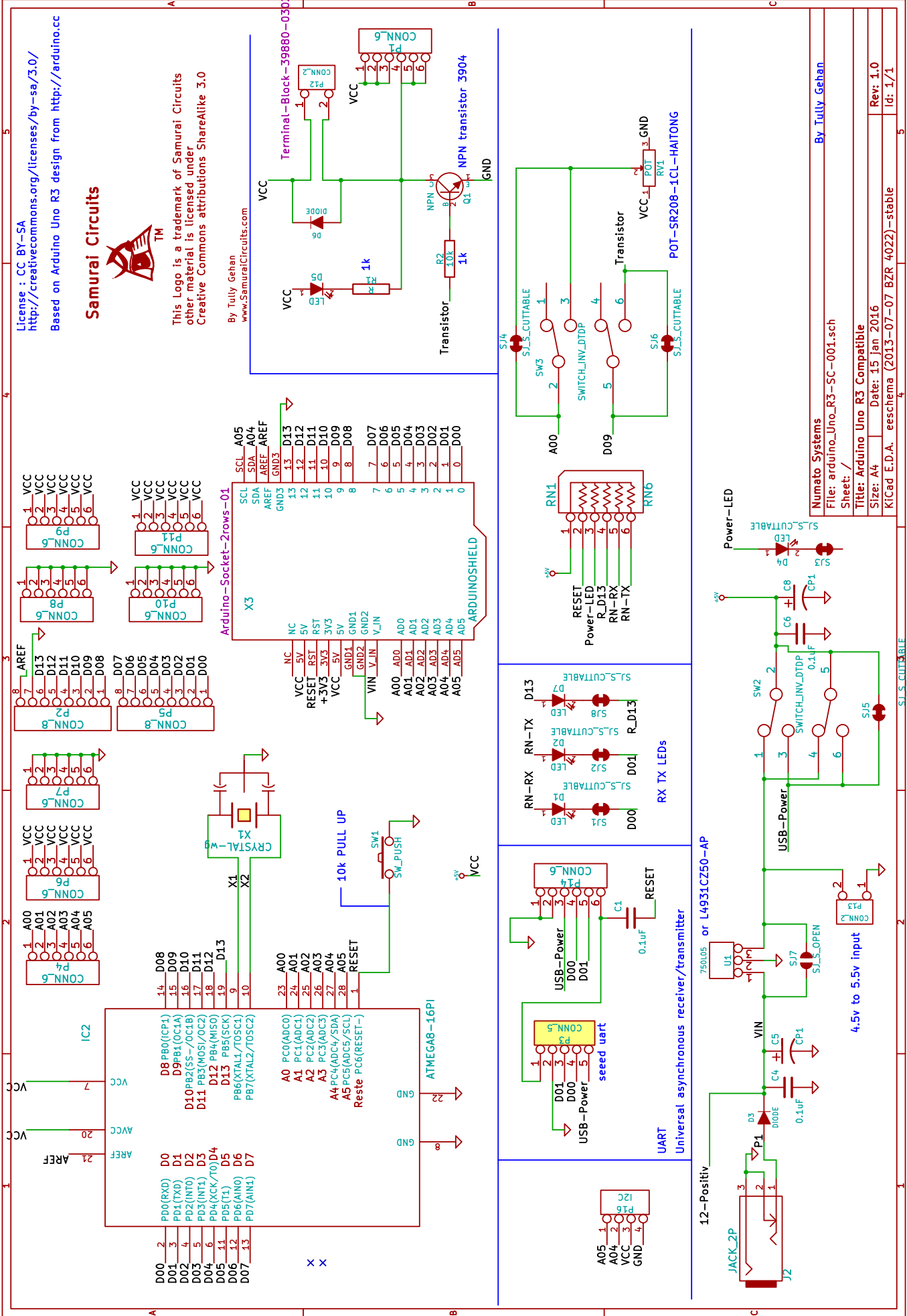
License : CC BY-SA
<http://creativecommons.org/licenses/by-sa/3.0/>
 Based on Arduino Uno R3 design from <http://arduino.cc>

Samurai Circuits



This Logo is a trademark of Samurai Circuits
 other material is licensed under
 Creative Commons attributions ShareAlike 3.0

By Tully Gehan
www.SamuraiCircuits.com



Numato Systems
File: arduino_Uno_R3-SC-001.sch
Sheet: /
Title: Arduino Uno R3 Compatible
Size: A4
Date: 15 Jan 2016
KiCad E.D.A. eeschema (2013-07-07 BZR 4022)-stable
By Tully Gehan

1	2	3	4	5	6	7	8	9	10	11	12	13	14	15	16	17	18	19	20	21	22	23	24	25	26	27	28	29	30	31	32	33	34	35	36	37	38	39	40	41	42	43	44	45	46	47	48	49	50	51	52	53	54	55	56	57	58	59	60	61	62	63	64	65	66	67	68	69	70	71	72	73	74	75	76	77	78	79	80	81	82	83	84	85	86	87	88	89	90	91	92	93	94	95	96	97	98	99	100
---	---	---	---	---	---	---	---	---	----	----	----	----	----	----	----	----	----	----	----	----	----	----	----	----	----	----	----	----	----	----	----	----	----	----	----	----	----	----	----	----	----	----	----	----	----	----	----	----	----	----	----	----	----	----	----	----	----	----	----	----	----	----	----	----	----	----	----	----	----	----	----	----	----	----	----	----	----	----	----	----	----	----	----	----	----	----	----	----	----	----	----	----	----	----	----	----	----	----	-----