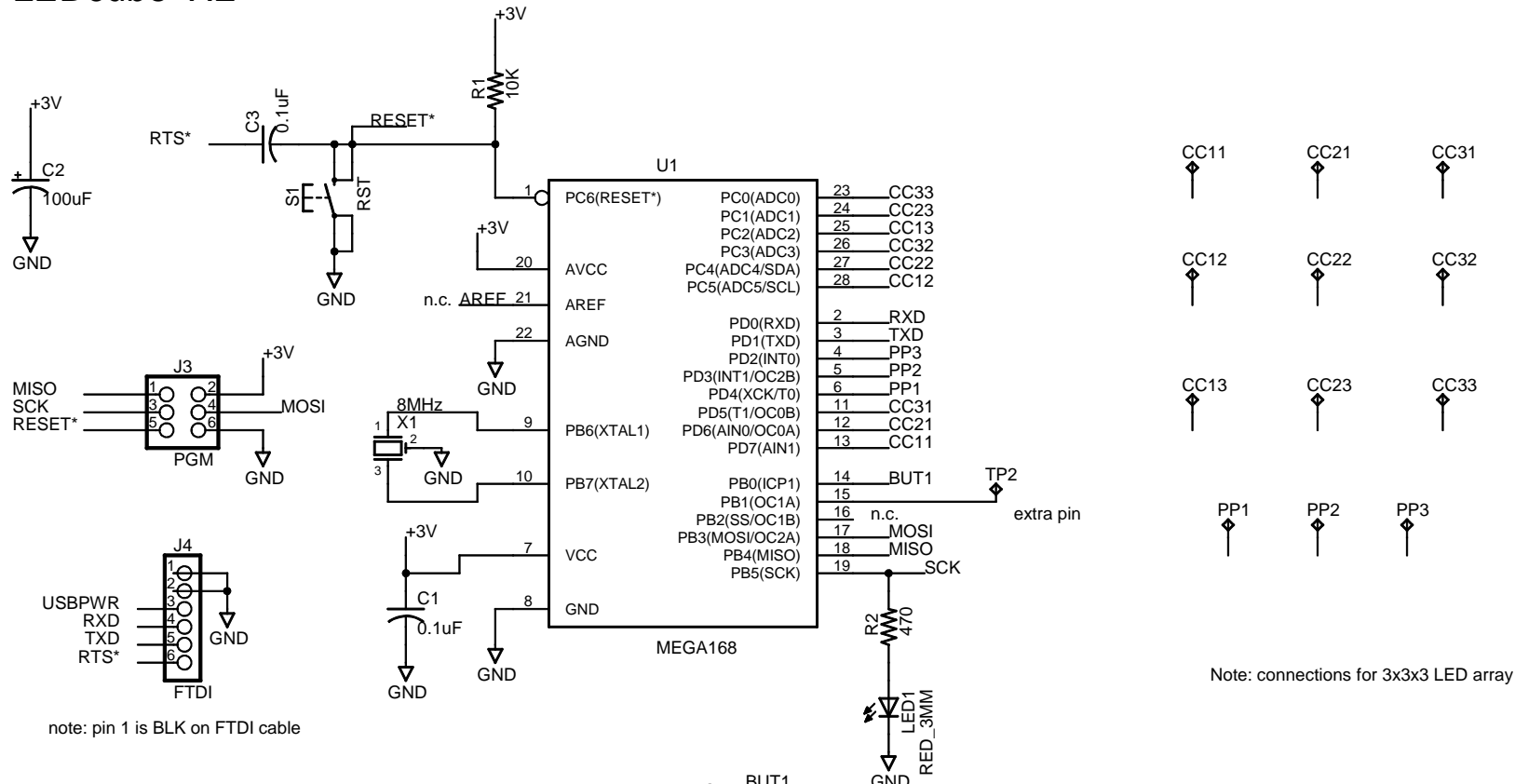


# LEDcube V.2



note: pin 1 is BLK on FTDI cable

Note: jumper on J2 selects power source

Note: connections for 3x3x3 LED array

	CLIENT	© 2011
DRAWN RVW	TITLE LEDcube V.2	REV
CHECKED	DATE 2/01/2011 11:57:43p	DRG N°
DATE	FILE: ledcube_v2	PAGE: 1/1